

# GN-DIM005

## RGB Three Colors Dimmer

# Product Specifications



*This product warranty is 1 year (exclude the artificial situation of damaged or overload working)*

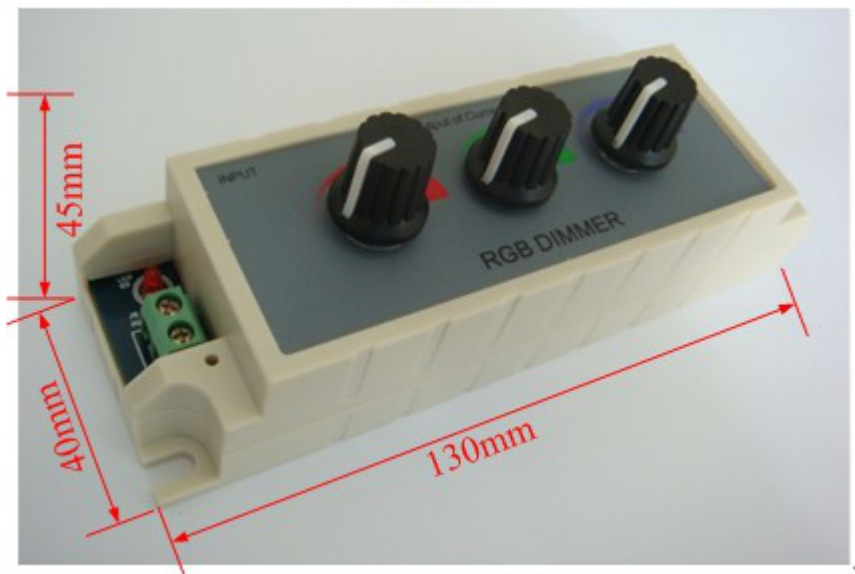
Before installing this product , Please read this manual carefully. Ensure full understanding of this specification to avoid unnecessary damage and additional costs.

### Product Description

RGB three colors dimmer can achieve stepless dimming. There are 3 outputs in total. It adopts the knob control manner. According to actual needs, users can transfer the light to the appropriate brightness and color.

### External Dimension

(Controller) ↕



(Packing size) ↕



## Technical Parameters

Working temperature	-20-60°C
Supply voltage	DC5V, 12V~24V optional (specify the required voltage on orders)
Output	3 channels
External dimension	L130*W40*H45 mm
Packing size	L136*W48*H59mm
Net weight	100g
Gross weight	130g
Static power consumption	<1W
Output current	<3A(each channel)
Output power	5V:<45W, 12V:<108W, 24V:<216W

## Interface Specifications

Power input interface: ↵



Adopt male and female connector with screw.↵

Load output interface:↵



Adopt male and female connector with screw.↵

### Direction for use

- Connect the load wire at first, following by the power wire; **Please ensure short circuit can not occur between connecting wire before you turn on the power;**

- Adopt rotary button, three knob corresponding to the three outputs . its function as follows:

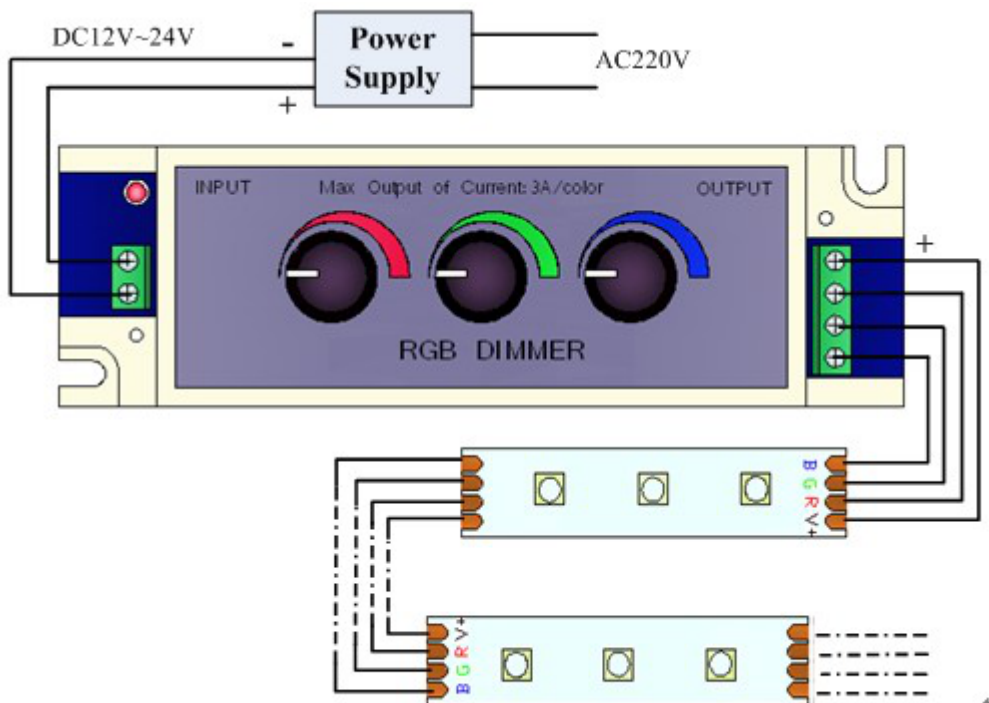
Rotate button to the right, brightness will be brighter, when you rotate it to the far right, the brightness is greatest.

Rotate button to the left, brightness will be darker, when you rotate it to the far left, the light will be turned off.



### Typical Applications

Application Circuit:





**Notes**

1. Supply voltage of this product is DC12V~24V, never connect to others or AC220V.
2. Lead wire should be connected correctly according to grade that connecting diagram offers.
3. This product is not to overload;
4. Warranty of this product is one year, but exclude the artificial situation of damaged or overload working.

**Common Problems**

Problems	Possible cause	Solution
1. Lamp does not light after power	Power cord is not properly connected, or there is not output switching power supply	Connect the power cord properly or replay the power
	Lamp power cord is not connected or short circuit	Connected lighting power cord
2. After connecting some of the load the controller does not work	The connected load is too large, so that it has burned in some of the components of the controller	Replace parts of components or replace the controller