

Description

The BP2833D is a high precision buck constant current LED driver. The device operates in critical conduction mode and is suitable for 85Vac~265Vac universal input offline LED lighting.

The BP2833D integrates a 500V power MOSFET. With patent pending MOSFET driving technique, the operating current of the IC is very low. So it doesn't need the auxiliary winding for supplying the chip. It can achieve excellent constant current performance with very few external components, so the system cost and size are minimized.

The BP2833D utilizes patent pending current control method. It can achieve precise output current and excellent line regulation. The driver operates in critical conduction mode, the output current does not change with the inductance and LED output voltage.

The BP2833D offers rich protection functions to improve the system reliability, including LED open circuit protection, LED short circuit protection, VCC under voltage protection, CS resistor short circuit protection and thermal regulation function.

Features

- Critical Conduction Mode Operation
- Internal 500V Power MOSFET
- No Auxiliary Winding
- Ultra Low Operating Current
- $\pm 5\%$ LED Output Current Accuracy
- LED Open Protection
- LED Short Protection
- Current Sensing Resistor Short Protection
- VCC Under Voltage Protection
- Thermal Regulation Function
- Available in DIP-8 Package

Applications

- LED Tube
- LED Ceiling Light
- LED Bulb
- Other LED Lighting

Typical Application

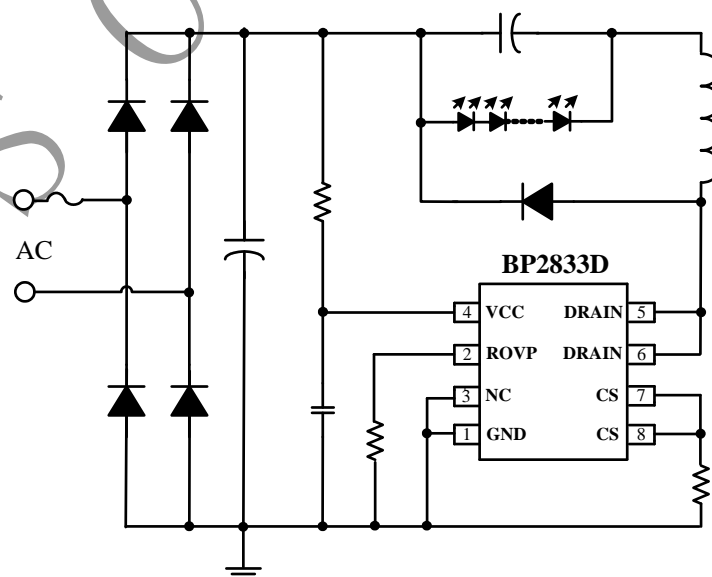


Figure 1. Typical application circuit for BP2833D

Ordering Information

Part Number	Package	Operating Temperature	Package Method	Marking
BP2833D	DIP8	-40 °C to 105 °C	Tube 50 Piece/Tube	BP2833D XXXXXY WWXY

Pin Configuration and Marking Information

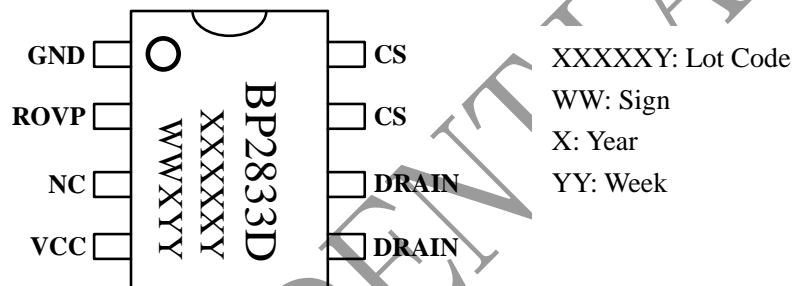


Figure 2. Pin configuration

Pin Definition

Pin No.	Name	Description
1	GND	Ground
2	ROVP	Over Voltage Protection Setting Pin. Connect a resistor to GND
3	NC	No connection. Should be connected to IC GND(Pin1)
4	VCC	Power Supply Pin
5,6	DRAIN	Internal HV Power MOSFET Drain
7,8	CS	Current Sense Pin. Connect a sense resistor between this pin and GND pin.

Absolute Maximum Ratings (note1)

Symbol	Parameters	Range	Units
I _{CC_MAX}	VCC pin maximum sink current	5	mA
DRAIN	Internal HV MOSFET drain voltage	-0.3~500	V
CS	Current sense pin input voltage	-0.3~6	V
ROVP	Over-voltage setting pin voltage	-0.3~6	V
P _{DMAX}	Power dissipation (note 2)	0.9	W
θ _{JA}	Thermal resistance (Junction to Ambient)	80	°C/W
T _J	Operating junction temperature	-40 to 150	°C
T _{STG}	Storage temperature range	-55 to 150	°C
	ESD (note 3)	2	KV

Note 1: Stresses beyond those listed under “absolute maximum ratings” may cause permanent damage to the device. Under “recommended operating conditions” the device operation is assured, but some particular parameter may not be achieved. The electrical characteristics table defines the operation range of the device, the electrical characteristics is assured on DC and AC voltage by test program. For the parameters without minimum and maximum value in the EC table, the typical value defines the operation range, the accuracy is not guaranteed by spec.

Note 2: The maximum power dissipation decrease if temperature rise, it is decided by T_{JMAX}, θ_{JA}, and environment temperature (T_A). The maximum power dissipation is the lower one between P_{DMAX} = (T_{JMAX} - T_A) / θ_{JA} and the number listed in the maximum table.

Note 3: Human Body mode, 100pF capacitor discharge on 1.5KΩ resistor

Recommended Operation Conditions

Symbol	Parameter	Range	Unit
I _{LED1}	Output LED current @ V _{out} =72V (Input voltage 176V~265V)	320	mA
I _{LED2}	Output LED current @ V _{out} =36V (Input voltage 176V~265V)	360	mA
V _{LED min}	Minimum LED Loading Voltage	>15	V



晶丰明源半导体

BP2833D

Non-isolated Buck Offline LED Driver

Electrical Characteristics (Notes 4, 5) (Unless otherwise specified, $V_{CC}=15V$ and $T_A=25^\circ C$)

Symbol	Parameter	Conditions	Min	Typ	Max	Units
Supply Voltage Section						
V_{CC_CLAMP}	V_{CC} Clamp Voltage	1mA		16.8		V
V_{CC_ON}	V_{CC} Turn On Threshold	V_{CC} Rising		13.8		V
V_{CC_UVLO}	V_{CC} Turn off Threshold	V_{CC} Falling		9		V
I_{ST}	V_{CC} Startup Current	$V_{CC}=V_{CC_ON}-1V$		120	180	μA
I_{OP}	V_{CC} Operating Current	$F_{OP}=70KHz$		100	150	μA
Current Sense Section						
V_{CS_TH}	Threshold Voltage for Peak Current Limit		388	400	412	mV
V_{CS_SHORT}	Threshold Voltage for Peak Current Limit When Output Short	Output Short		200		mV
T_{LEB}	Leading Edge Blanking Time for Current Sense			350		ns
T_{DELAY}	Switch Off Delay Time			200		ns
Internal Time Control Section						
T_{OFF_MIN}	Minimum OFF Time			3		μs
T_{OFF_MAX}	Maximum OFF Time			240		μs
T_{ON_MAX}	Maximum On Time			40		μs
V_{ROVP}	ROVP Pin Voltage			1.5		V
MOSFET Section						
R_{DS_ON}	Static Drain-source On-resistance	$V_{GS}=15V/I_{DS}=0.4A$		5		Ω
BV_{DSS}	Drain-Source Breakdown Voltage	$V_{GS}=0V/I_{DS}=250\mu A$	500			V
I_{DSS}	Power MOSFET Drain Leakage Current	$V_{GS}=0V/V_{DS}=500V$			1	μA
Thermal Regulation Section						
T_{REG}	Thermal Regulation Temperature			150		$^\circ C$

Note 4: production testing of the chip is performed at 25 °C.

Note 5: the maximum and minimum parameters specified are guaranteed by test, the typical value are guaranteed by design, characterization and statistical analysis

Internal Block Diagram

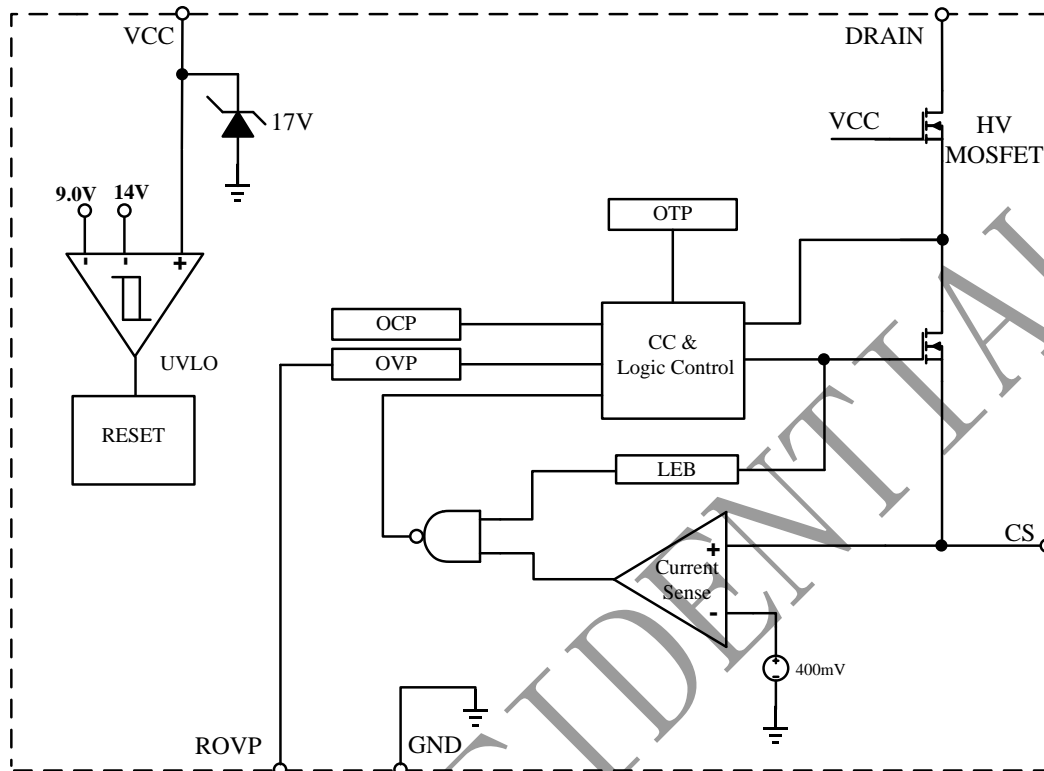


Figure 3. BP2833D Internal Block Diagram

Application Information

The BP2833D is a high performance non-isolated Buck converter specially designed for LED lighting. The device integrates a 500V power MOSFET. With very few external components, the converter achieves excellent constant current control. And it does not need auxiliary winding for powering the IC or voltage sensing, hence the system size and cost is greatly reduced.

Start Up

After system powered up, the VCC pin capacitor is charged up by the start up resistor. When the VCC pin voltage reaches the turn on threshold, the internal circuits start operating. The BP2833D integrates a 17V zener diode to clamp the VCC voltage. Due to the ultra-low operating current, the auxiliary winding is not needed to supply the IC.

Constant Current Control

Cycle by Cycle current sense is adopted in BP2833D, the CS pin is connected to the current sense comparator, and the voltage on CS pin is compared with the internal 400mV reference voltage. The MOSFET will be switched off when the voltage on CS pin reaches the threshold. The CS comparator includes a 350ns leading edge blanking time.

The peak inductor current is given by:

$$I_{PK} = \frac{400}{R_{CS}} \text{ (mA)}$$

Where, R_{CS} is the current sense resistor value.

The current in LED can be calculated by the equation:



晶 丰 明 源 半 导 体

BP2833D

Non-isolated Buck Offline LED Driver

$$I_{LED} = \frac{I_{PK}}{2}$$

Where, I_{PK} is the peak current of the inductor.

Inductor Selection

The BP2833D works under inductor current critical conduction mode. When the power MOFET is switched on, the current in the inductor rises up from zero, the on time of the MOSFET can be calculated by the equation:

$$t_{on} = \frac{L \times I_{PK}}{V_{IN} - V_{LED}}$$

Where,

L is the inductance value

V_{IN} is the DC bus voltage after the rectifier bridge

V_{LED} is the voltage on the LED

After the power MOSFET is switched off, the current in the inductor decreases. When the inductor current reaches zero, the power MOSFET is turned on again by IC internal logic. The off time of the MOSFET is given by:

$$t_{off} = \frac{L \times I_{PK}}{V_{LED}}$$

The inductance can be calculated by the equation:

$$L = \frac{V_{LED} \times (V_{IN} - V_{LED})}{f \times I_{PK} \times V_{IN}}$$

The f is the system switching frequency, which is proportional to the input voltage. So the minimum switching frequency is set at lowest input voltage, and the maximum switching frequency is set at highest input voltage.

The minimum and maximum off time of BP2833D is set at 3us and 240us, respectively. Referring to the equation of t_{OFF} calculation, if the inductance is too

small, the t_{OFF} may be smaller than the minimum off time, system will operate in discontinuous conduction mode and the output current will be smaller than the designed value. If the inductance is too large, the t_{OFF} may be larger than the maximum off time, the system will operate in continuous conduction mode and the output current will be higher than the designed value. So it is important to choose a proper inductance.

Over Voltage Protection

The over voltage protection can be programmed by the ROVP pin resistor. The ROVP pin voltage is 1.5V.

When the LED is open circuit, the output voltage increases gradually, and the demagnetization time gets shorter. The demagnetization time at OVP--- T_{ovp} can be calculated by the open circuit protection voltage:

$$T_{ovp} \approx \frac{L \times V_{cs}}{R_{cs} \times V_{ovp}}$$

Where,

V_{cs} is the CS pin turn off threshold (400mV)

V_{ovp} is the open circuit protection voltage

And then the R_{ovp} resistor value can be calculated by the equation:

$$R_{ovp} \approx 15 * T_{ovp} * 10^6 \quad (\text{kohm})$$

Protection Function

The BP2833D offers rich protection functions to improve the system reliability, including LED open/short protection, CS resistor short protection, V_{CC} under voltage protection, thermal regulation. When the LED is open circuit, the system will trigger the over voltage protection and stop switching.

When the LED short circuit is detected, the system works at low frequency (5kHz), and the CS pin turn



晶丰明源半导体

BP2833D

Non-isolated Buck Offline LED Driver

off threshold is reduced to 200mV. So the system power consumption is very low. At some catastrophic fault condition, such as CS resistor shorted or inductor saturated, the internal fast fault detection circuit will be triggered, the system stops switching immediately.

After the system enters into fault condition, the VCC voltage will decrease until it reaches the UVLO threshold, then the system will re-start again. If the fault condition is removed, the system will recover to normal operation.

Thermal Regulation

The BP2833D integrates thermal regulation function. When the system is over temperature, the output current is gradually reduced; the output power and thermal dissipation are also reduced. The system temperature is regulated and the system reliability is improved. The thermal regulation temperature is set to 150°C internally.

PCB Layout

The following rules should be followed in BP2833D PCB layout:

Bypass Capacitor

The bypass capacitor on V_{CC} pin should be as close as possible to the V_{CC} Pin and GND pin.

ROVP Pin

The ROVP resistor should be as close as possible to the ROVP Pin.

Ground Path

The power ground path for current sense should be short, and the power ground path should be separated from small signal ground path before connecting to the negative node of the bulk capacitor.

The Area of Power Loop

The area of main current loop should be as small as possible to reduce EMI radiation, such as the inductor, the power MOSFET, the output diode and

the bus capacitor loop.

NC pin

The NC pin should be connected to GND (pin1).

Drain Pin

To increase the copper area of DRAIN pin for better thermal dissipation. However too large copper area may compromise EMI performance.

Physical Dimensions
