



ANB TYPE SMD POWER INDUCTOR



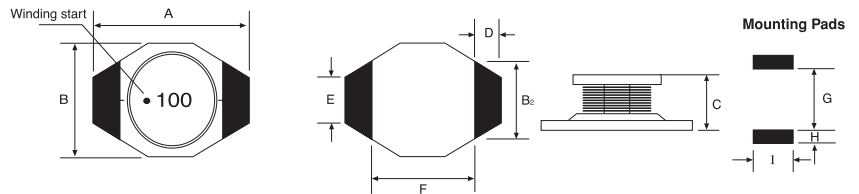
FEATURE

- The rated current indicates the value of current when the inductance is 10% lower than its initial value at DC superposition or DC current when $\Delta t = 40^\circ\text{C}$, whichever is lower
- Tolerance of inductance: $1\mu\text{H}\sim 1000\mu\text{H}(100\text{KHz}, 0.1\text{Vrms})$

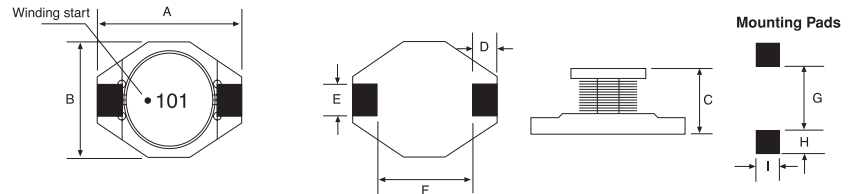
APPLICATION

- Laptop & notebook computer
- Battery power equipment
- DC/DC converter
- Digital camera & scanner, CD-ROM & DVD

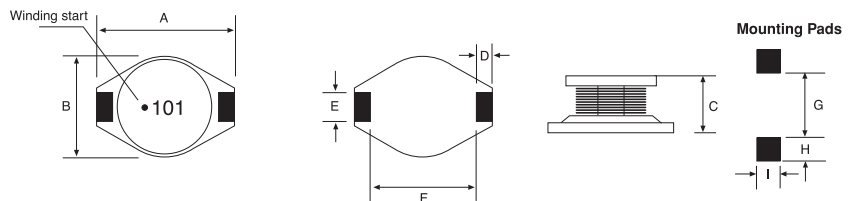
SHAPE & DIMENSION FOR ANB063XX SERIES



SHAPE & DIMENSION FOR ANB13XX SERIES



SHAPE & DIMENSION FOR ANB1807 SERIES



Dimension in m/m

Part No.	A	B	B2	C	D	E	F	G	H	I
ANB0602	6.6 Max	4.45 Max	2.34	2.00 Max	0.76	1.27	4.83	4.57	1.14	3.05
ANB0603	6.6 Max	4.45 Max	2.34	2.92 Max	0.76	1.27	4.83	4.57	1.14	3.05
ANB1303	13.0 Max	9.4 Max	-	3.2 Max	2.54	2.54	8.0	7.37	3.0	2.79
ANB1305	13.0 Max	9.4 Max	-	5.5 Max	2.54	2.54	8.0	7.37	3.0	2.79
ANB1311	13.0 Max	9.4 Max	-	11.5 Max	2.54	2.54	8.0	7.37	3.0	2.79
ANB1807	18.8 ⁺⁰	15.5 ⁺⁰	-	7.5 ⁺⁰	2.54	2.54	13.5	12.45	3.0	2.79

ANB TYPE

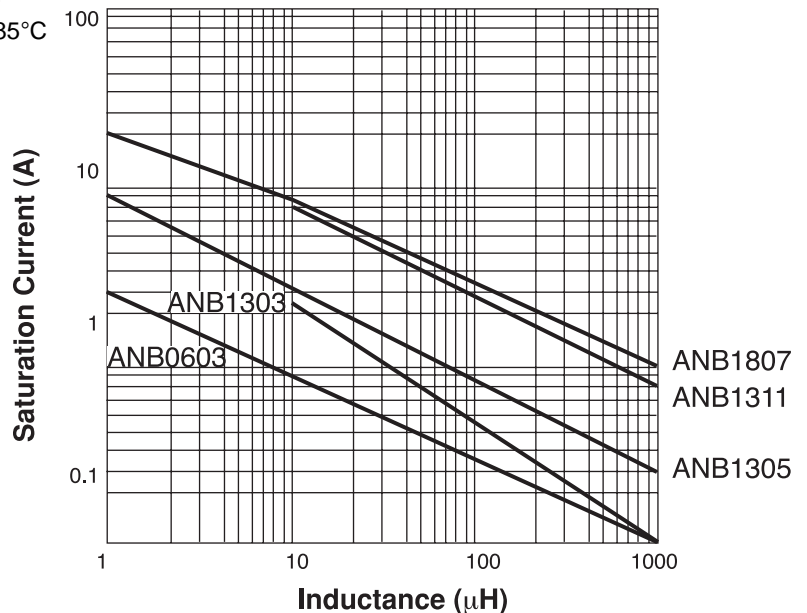
SMD POWER INDUCTOR

STANDARD SPECIFICATION

Part No.	Inductance L (μH) $\pm 20\%$	RDC (Ω) Max.						IDC (A) Max.					
		ANB 0602	ANB 0603	ANB 1303	ANB 1305	ANB 1311	ANB 1807	ANB 0602	ANB 0603	ANB 1303	ANB 1305	ANB 1311	ANB 1807
1R0	1.0		0.05		0.009		0.011		2.90		9.00		20.00
1R5	1.5		0.05		0.010		0.013		2.60		8.00		
2R2	2.2		0.07	0.03	0.012		0.014		2.30	3.80	7.00		16.00
3R3	3.3		0.08		0.015		0.016		2.00		6.40		14.00
4R7	4.7		0.09	0.06	0.200		0.021		1.50	2.70	5.40		
5R6	5.6				0.025		0.022				5.00		12.00
6R8	6.8		0.13		0.027				1.20		4.60		
100	10		0.16	0.09	0.038	0.033	0.032		1.10	2.40	3.80	8.00	10.00
150	15		0.23	0.12	0.050	0.042	0.036		0.90	2.00	3.00	7.00	8.00
220	22		0.37	0.19	0.085	0.054	0.047		0.70	1.60	2.60	5.50	7.00
330	33		0.51	0.25	0.100	0.080	0.066		0.58	1.40	2.00	4.00	5.50
470	47		0.64	0.32	0.140	0.100	0.087		0.50	1.00	1.60	3.80	4.50
680	68		0.86	0.55	0.200	0.170	0.130		0.40	0.90	1.40	3.00	3.50
101	100	1.8	1.27	0.70	0.280	0.220	0.190	0.19	0.31	0.70	1.20	2.50	3.00
151	150		2.00	1.00	0.400	0.340	0.250		0.27	0.60	1.00	2.00	2.60
221	220		3.11	1.60	0.610	0.440	0.380		0.22	0.50	0.70	1.60	2.40
331	330		3.80	2.20	1.020	0.700	0.560		0.18	0.40	0.60	1.20	1.90
471	470		5.06	3.30	1.400	0.950	0.850		0.16	0.30	0.50	1.00	1.40
681	680		9.20	4.40	2.020	1.200	1.200		0.14	0.20	0.40	1.00	1.20
102	1000	23	13.8	7.00	3.000	2.000	1.800	0.045	0.10	0.10	0.30	0.80	1.00
122	1200	30						0.030					

1. Test Freq. (L): at 100KHz 0.1 Vrms.
2. Inductance drop=10% typ. at rated Isat.
3. Operating temperature range -40°C to 85°C

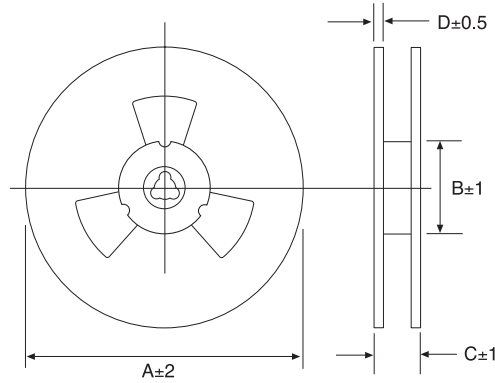
TYPICAL ELECTRICAL CHARACTERISTIC CURVE
ANB0603, ANB1303, ANB1305, ANB1311 & ANB1807
TEST INSTRUMENT:
HP 4263B Zentech 301A
INDUCTANCE-CURRENT (REFERENCE)





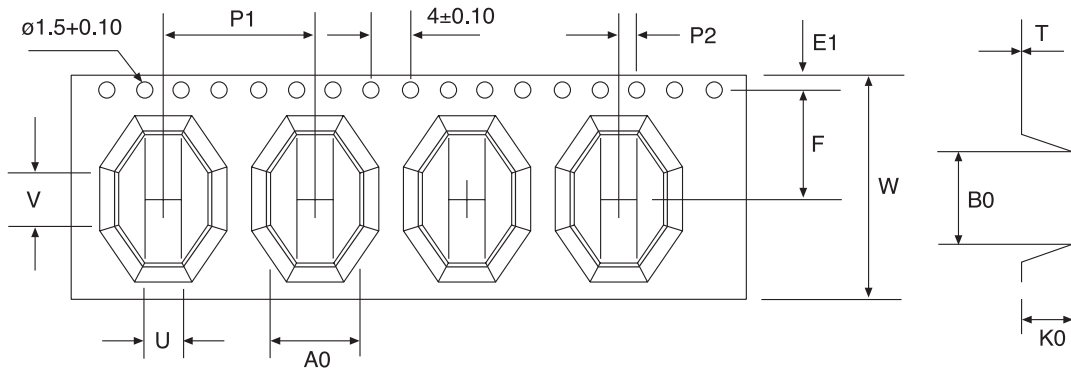
ANB TYPE SMD POWER INDUCTOR

PACKAGING



REEL DIMENSION

Part No.	TYPE	Dimension in m/m					PCS/REEL
		A	B	C	D		
ANB 0603, 0602, 0603C	12 mm	330 ± 2	75 ± 1	13.5 ± 1	2.4 ± 0.5	2000	
ANB1303	24 mm	330 ± 2	75 ± 1	26 ± 1	2.4 ± 0.5	1000	
ANB1305, 1305C, 1305HC	24 mm	330 ± 2	75 ± 1	26 ± 1	2.4 ± 0.5	700	
ANB1311	24 mm	330 ± 2	75 ± 1	26 ± 1	2.4 ± 0.5	300	
ANB1807, 1807C	32 mm	330 ± 2	75 ± 1	34 ± 1	2.4 ± 0.5	500	



TAPE DIMENSION

Part No.	Dimension in m/m										
	A0	B0	K0	P1	P2	U	V	E1	F	W	T
ANB0603, 0602, 0603C	4.8	6.9	3.2	8	2	1.44	1.34	1.75	5.5	12	0.30
ANB1303	9.7	13.25	3.3	12	2	4.8	4.3	1.75	11.5	24	0.30
ANB1305, 1305C, 1305HC	9.7	13.25	5.4	12	2	4.8	4.3	1.75	11.5	24	0.30
ANB1311	9.7	13.25	11.7	12	2	4.8	4.3	1.75	11.5	24	0.45
ANB1807, 1807C	15.54	18.84	7.4	20	2	4.3	5.8	1.75	14.2	32	0.40