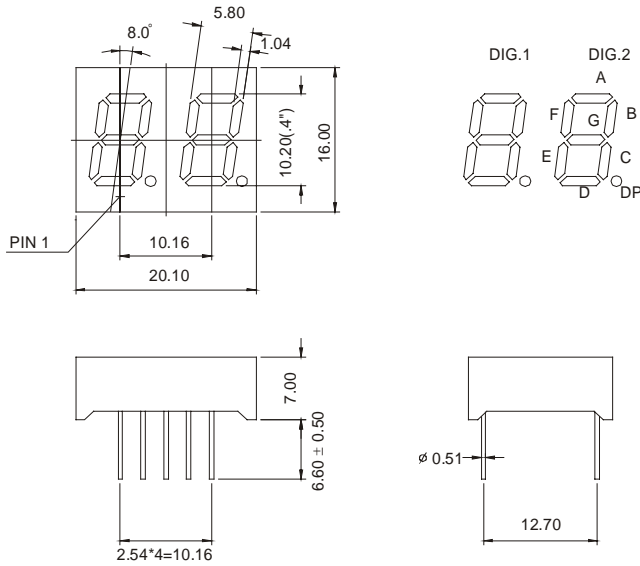
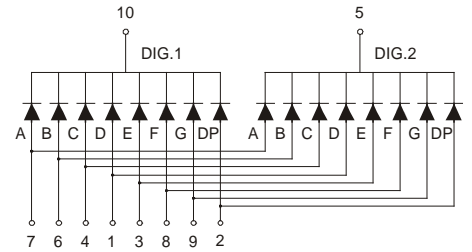


GND-4021Ax-Bx (DUAL DIGIT LED DISPLAY)

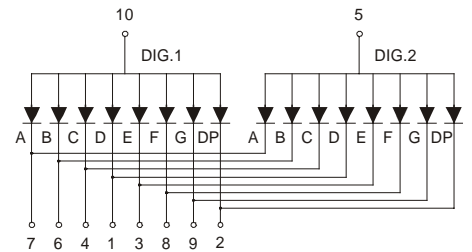
GND-4021 Series



GND-4021Ax



GND-4021Bx



Features:

*0.40 INCH HIGH CHARACTER.

*EXCELLENT CHARACTER APPEARANCE.

*COMMON CATHODE OR COMMON ANODE.

*I.C. COMPATIBLE.

*LOW POWER CONSUMPTION.

Part Number	EMITTED COLOR		Common Cathode or Common Anode	Peak Wavelength (nm)	Vf (v) Typ	If (mA)	Intensity Per Segment (mcd)	
							Min.	Typ.
GND-4021AE	GaAsP/GaP	Hi.effi Red	Common Cathode	635	2.0	20	9	12
GND-4021AG	GaP	Green		565	2.1	20	8	11
GND-4021AY	GaAsP/GaP	Yellow		585	2.0	20	9	12
GND-4021AS	GaAlAs	Super Red		660	1.8	20	10	13
GND-4021AD	GaAlAs	Ultra Red		660	1.8	20	25	30
GND-4021AUE	AlGaInP	Ultra Red		625	2.0	20	30	35
GND-4021AUY	AlGaInP	Ultra Yellow		590	2.0	20	30	35
GND-4021BE	GaAsP/GaP	Hi.effi Red	Common Anode	635	2.0	20	9	12
GND-4021BG	GaP	Green		565	2.1	20	8	11
GND-4021BY	GaAsP/GaP	Yellow		585	2.0	20	9	12
GND-4021BS	GaAlAs	Super Red		660	1.8	20	10	13
GND-4021BD	GaAlAs	Ultra Red		660	1.8	20	25	30
GND-4021BUE	AlGaInP	Ultra Red		625	2.0	20	30	35
GND-4021BUY	AlGaInP	Ultra Yellow		590	2.0	20	30	35