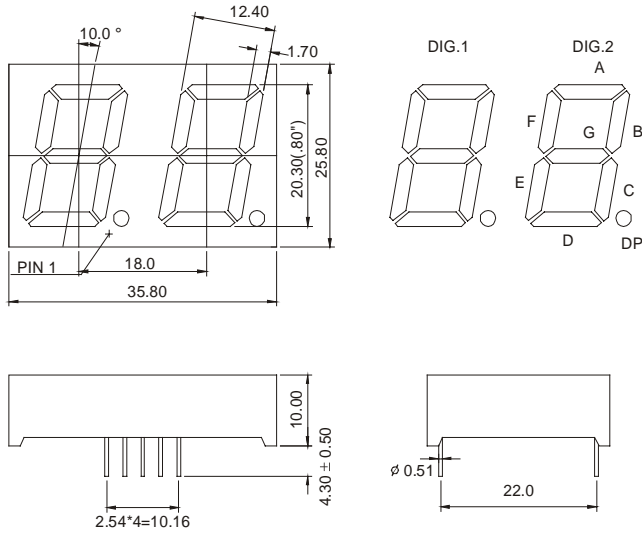
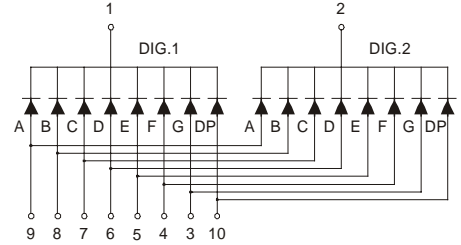


## GND-8021Ax-Bx (DUAL DIGIT LED DISPLAY)

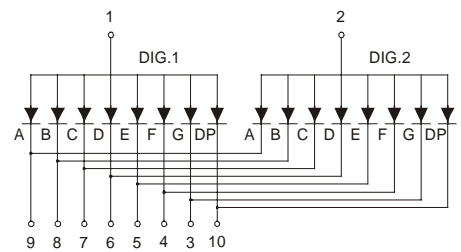
### GND-8021 Series



### GND-8021Ax



### GND-8021Bx



### Features:

\*0.8 INCH HIGH CHARACTER.

\*EXCELLENT CHARACTER APPEARANCE.

\*COMMON CATHODE OR COMMON ANODE.

\*I.C. COMPATIBLE.

\*LOW POWER CONSUMPTION.

Part Number	EMITTED COLOR		Common Cathode or Common Anode	Peak Wavelength (nm)	Vf (v) Typ	If (mA)	Intensity Per Segment (mcd)	
							Min.	Typ.
GND-8021AE	GaAsP/GaP	Hi.effi Red	Common Cathode	635	2.0	20	9	12
GND-8021AG	GaP	Green		565	2.1	20	8	11
GND-8021AY	GaAsP/GaP	Yellow		585	2.0	20	9	12
GND-8021AS	GaAlAs	Super Red		660	1.8	20	10	13
GND-8021AD	GaAlAs	Ultra Red		660	1.8	20	25	30
GND-8021AUE	AlGaInP	Ultra Red		625	2.0	20	30	35
GND-8021AUJ	AlGaInP	Ultra Yellow		590	2.0	20	30	35
GND-8021BE	GaAsP/GaP	Hi.effi Red	Common Anode	635	2.0	20	9	12
GND-8021BG	GaP	Green		565	2.1	20	8	11
GND-8021BY	GaAsP/GaP	Yellow		585	2.0	20	9	12
GND-8021BS	GaAlAs	Super Red		660	1.8	20	10	13
GND-8021BD	GaAlAs	Ultra Red		660	1.8	20	25	30
GND-8021BUE	AlGaInP	Ultra Red		625	2.0	20	30	35
GND-8021BUY	AlGaInP	Ultra Yellow		590	2.0	20	30	35