

FM IF SYSTEM FOR CAR RADIOS

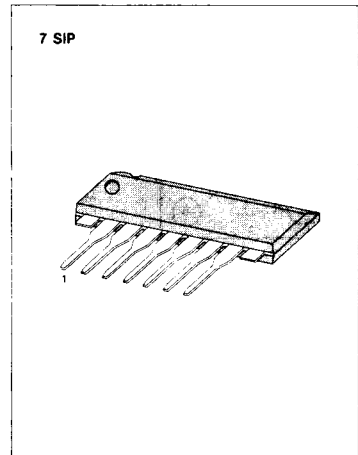
The KA2245 is a monolithic integrated circuit consisting of an FM IF amplifier and detector. It is suitable for car radios.

FUNCTIONS

- 3-stage IF amplifier.
- Peak detector.

FEATURES

- Suitable for FM car radios.
- Wide operating supply voltage range: $V_{CC} = 8V \sim 14V$.
- High detector output voltage ($V_o = 500mV$, Typ).
- Excellent AM rejection: $AMR = 50dB$ (Typ).
- High sensitivity: $V_{1(LIM)} = 50dB\mu V$ (Typ).
- Simplified single coil tuning.
- Low distortion ($THD = 0.1\%$: Typ).
- Minimum number of external parts required.



ORDERING INFORMATION

Device	Package	Operating Temperature
KA2245	7 SIP	$-20^{\circ}C \sim +70^{\circ}C$

BLOCK DIAGRAM

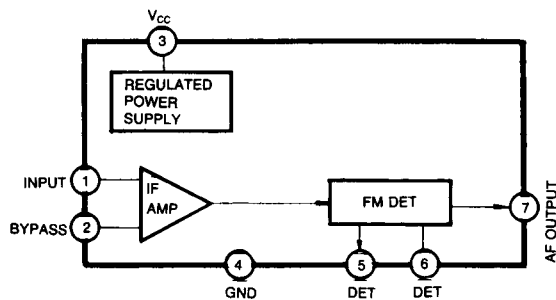


Fig. 1

ABSOLUTE MAXIMUM RATINGS (Ta = 25°C)

Characteristic	Symbol	Value	Unit
Supply Voltage	V _{CC}	15	V
Input Voltage	V _I	0.7	V
Power Dissipation	P _D	400	mW
Operating Temperature	T _{OPR}	-20 ~ +70	°C
Storage Temperature	T _{STG}	-40 ~ +125	°C

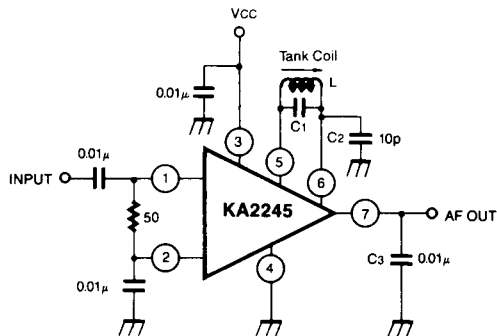
*: Derated above Ta=25°C in the proportion of 4mW/°C

ELECTRICAL CHARACTERISTICS

(Ta = 25°C, V_{CC} = 12V, f = 10.7MHz, fm = 400Hz)

Characteristic	Symbol	Test Conditions	Min	Typ	Max	Unit
Quiescent Circuit Current	I _{CCO}	V _I = 0	8	12	15	mA
-3dB Limiting Sensitivity	V _{I(LIM)}	-3dB point from V _O V _I = 80dBμ, Δf = ±75KHz		50	55	dBμ
AM Rejection Ratio	AMR	FM: Δf = ±75KHz dev AM: 30% Mod V _I = 80dBμ		50		dB
Detector Output Voltage	V _O	Δf = ±75KHz dev V _I = 80dBμV	300	500	700	mV
Total Harmonic Distortion	THD	Δf = ±22.5KHz dev V _I = 80dBμV		0.2		%
Signal to Noise Ratio	S/N	Δf = ±75KHz dev V _I = 80dBμV		60		dB

TEST CIRCUIT



APPLICATION CIRCUIT

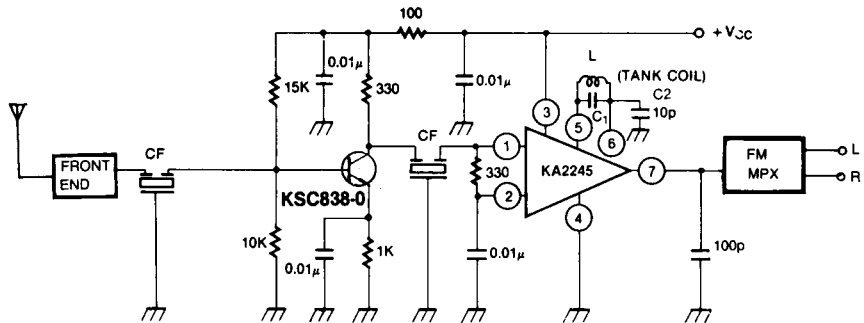
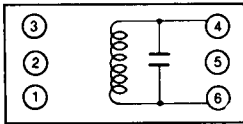


Fig. 3

$$f_o = \frac{1}{2\pi\sqrt{L(C_1 + \frac{C_2}{2})}}$$

COIL SPECIFICATIONS



C _o (pF)	f (MHz)	O _o (%)	Tums		
			4-6		
27	10.7	150	18		