

Features

This controller adopt the widely used 433MHz wireless technology with the features of low power consumption, long signal transmitting and strong anti-interference, etc. Widely used on the controlling of hotel lighting and home lighting.



Color temperature adjustable



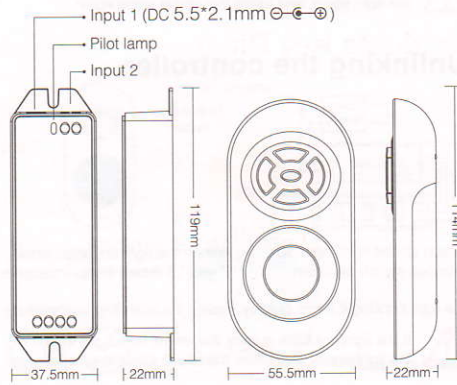
433MHz RF wireless transmission technology



Dimmable control



Remote control
Control distance 30m



Parameters

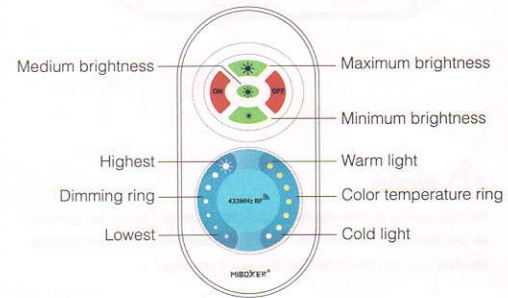
Remote Control

Working Voltage: 3V(2*AAA Battery) Transmitting Power: <10mW
Working Temp.: -20~60°C Modulation Method: ASK
RF: 433MHz Control Distance: 30m
Standby Power: 20uA

Strip Controller

Input Voltage: DC12V~24V RF: 433MHz
Output: 12A/Channel Control Distance: 30m
Total Output: Max 12A Output Connection: Common anode
Working Temp.: -20~60°C

Products Key Diagram



Connect diagram

Pilot lamp instruction:

Always lighting means working normally; Flash means receiving remote signal.



Note

Factory setting is one remote control one receiver. Users can group it as per the need. One remote can control countless receivers, but one receiver just can be controlled by max 4 remotes.