

## Feature

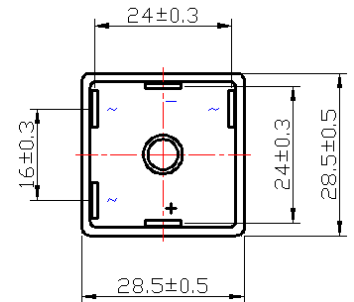
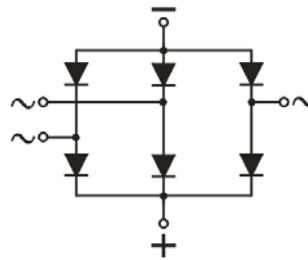
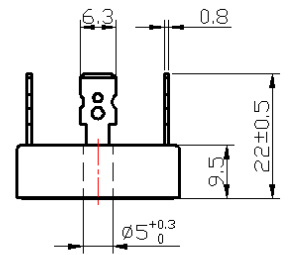
- 6.3mm standard pin
- Low forward voltage drop
- Isolation voltage 2500V~
- UL registered E304417

## Application

- Power supply for DC power device
- Input rectifier for PWM converter
- Power supply for DC device
- Frequency convertor

## Advantage

- Easy mounting
- Small volume, light weight
- Low thermal resistance, high heat-conduction rate  
low temperature rise



## Maximum value

Symbol	Parameter	Rating	Unit
		SKBPC3512	
$V_{RRM}$	Peak reverse repetitive voltage	1200	V
$V_{RSM}$	Peak reverse non-repetitive voltage	1300	V

Symbol	Parameter	Test condition	Rating	Unit
$I_{F(AV)}$	Forward average current	180°sine half-wave 50HZ single-sided heat dissipation $T_c=85^\circ\text{C}$	35	A
$I_{FSM}$	Forward surge current	$t=10\text{ms}, 50\text{HZ}, \text{sin}, T_{jm}$	450	A
$I^2t$	$I^2t$ value		800	$\text{A}^2\text{S}$
$V_{ISO}$	Isolation voltage	50Hz, R.M.S, $t=1\text{min}$ , $I_{iso}:1\text{mA}(\text{max})$	2500	V
$T_j$	Operating junction temperature		-40 to +150	$^\circ\text{C}$
$T_{jm}$	Rated junction temperature		150	$^\circ\text{C}$
$T_{stg}$	Storage temperature		-40 to +125	$^\circ\text{C}$
$M_d$	Mounting torque M5		2	N·m
$W_t$	Weight		21	g

## Electrical characteristics

Symbol	Parameter	Test condition	Rating	Unit
$I_{RRM}$	Peak reverse repetitive current	$V_R=V_{RRM}$ , sine half-wave, $T_j=25^\circ\text{C}$	5	$\mu\text{A}$
		$V_R=V_{RRM}$ , sine half-wave, $T_j=150^\circ\text{C}$	3	$\text{mA}$
$V_{FM}$	Peak forward voltage	$I_{FM}=35\text{A}$ , $T_j=25^\circ\text{C}$	1.3	V
$R_{th(j-c)}$	Thermal impedance (junction-case)	Single-sided heat dissipation, sine half-wave	1.1	$^\circ\text{C/W}$