

# YO SERIES (IEC Inlet Filters)



P/N:YO03T1-BU18103301-A

## Features

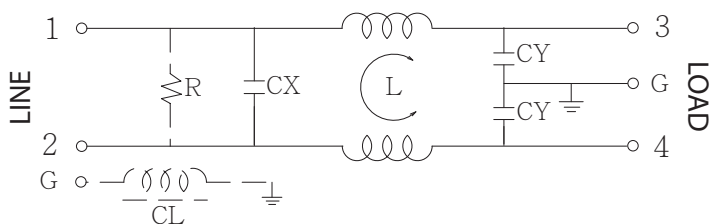
- The YO series filter integrates an IEC inlet and filter with excellent noise suppression performance and compact size.
- The rated current can be offered up to 15 amps.
- Offer in snap-in mounting type with optional vertical & horizontal version for saving labor cost.
- The choice of integrated earth line choke is also available.
- Low leakage current version upon requested.
- All parts are approved by UL, CSA, VDE, CQC and CE.
- Application for Electrical and electronic equipment, Single-phase power supplies, UPS, Medical equipment, Test and measurement equipment.
- Custom-specific versions are available on request.

## Technical Specification

Rated voltage	125/250VAC
Rated currents	1 to 15A
Operating frequency	50/60Hz
Hipot rating(Line-to-line)	1450VDC
Hipot rating(Line-to-ground)	2250VDC
Operating temperature	-25~+85°C
Safety compliance	1 to 10A(VDE, CQC) ; 1 to 15A(UL, CSA, CE)

\*VDE except 8A

## Typical electrical schematic



\* With optional ground choke and resistor.

R: 1M ohm

CL: 100 μH

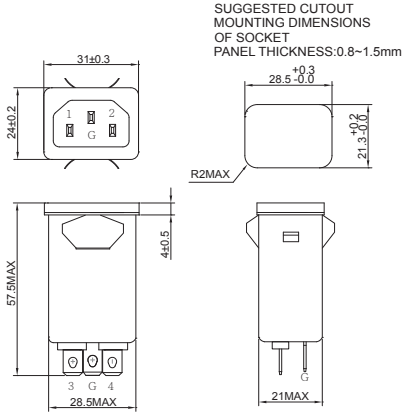
## Filter Selection Table

Part No.	Rated Current (A)	Inductance L(mH)	Capacitance CX(μF)	Capacitance CY(pF)	Output connections
YO01T1	1	3.7	0.1	3300	Fast-on terminal (optional lead-wire)
YO03T1	3	1.8	0.1	3300	
YO06T1	6	0.7	0.1	3300	
YO08T1	8	1.8	0.1	3300	
YO10T1	10	0.3	0.1	3300	
YO15T1	15	0.3	0.1	3300	
YO01T3	1	3.7	0.1	3300	Solder lug terminal
YO03T3	3	1.8	0.1	3300	
YO06T3	6	0.7	0.1	3300	
YO08T3	8	1.8	0.1	3300	
YO10T3	10	0.3	0.1	3300	
YO15T3	15	0.3	0.1	3300	

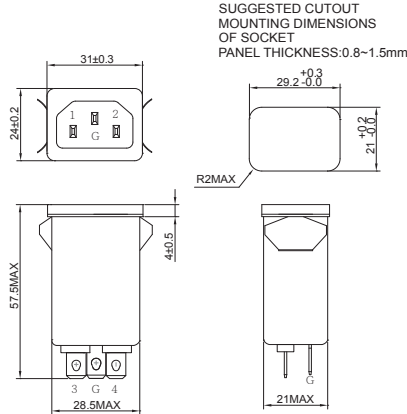
\*Please contact us for other parts or spec.

# Physical Dimensions: (mm)

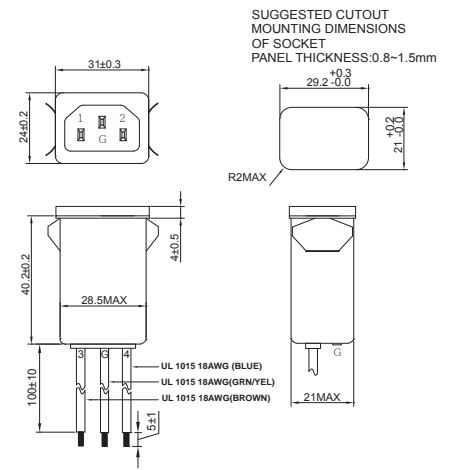
**YO-T1-BU**



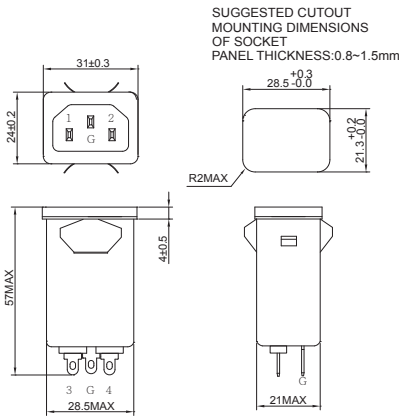
**YO-T1-BR**



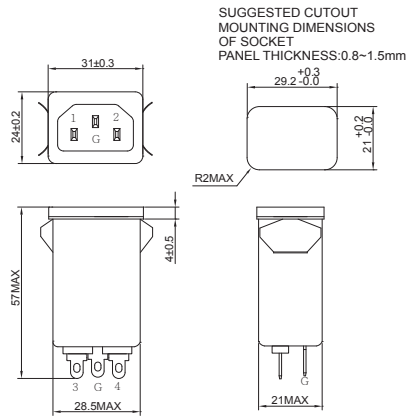
**YO-D (Lead wire)**



**YO-T3-BU**

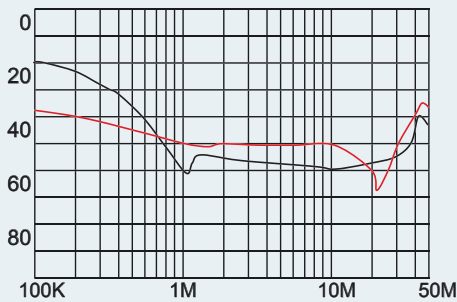


**YO-T3-BR**

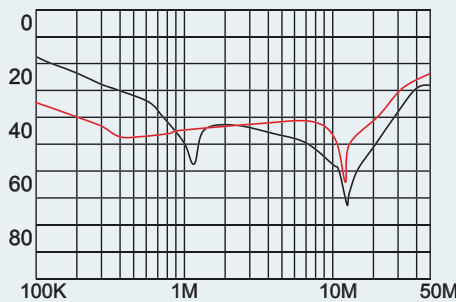


## Typical filter attenuation (Common mode — Normal mode —)

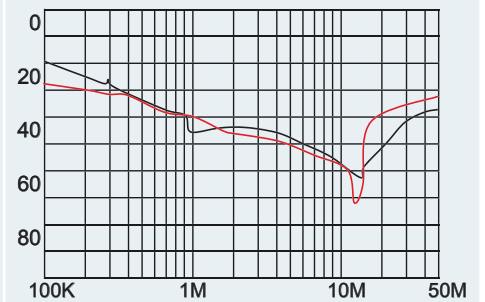
**YO01**



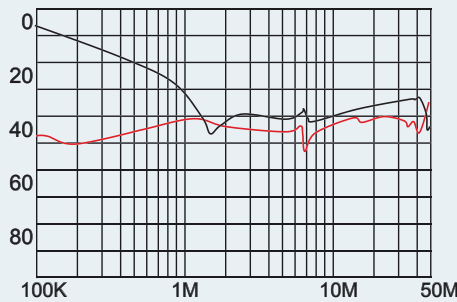
**YO03**



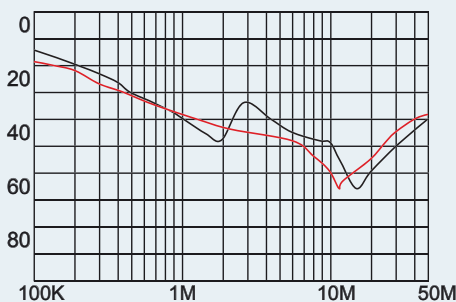
**YO06**



**YO08**



**YO10**



**YO15**

