

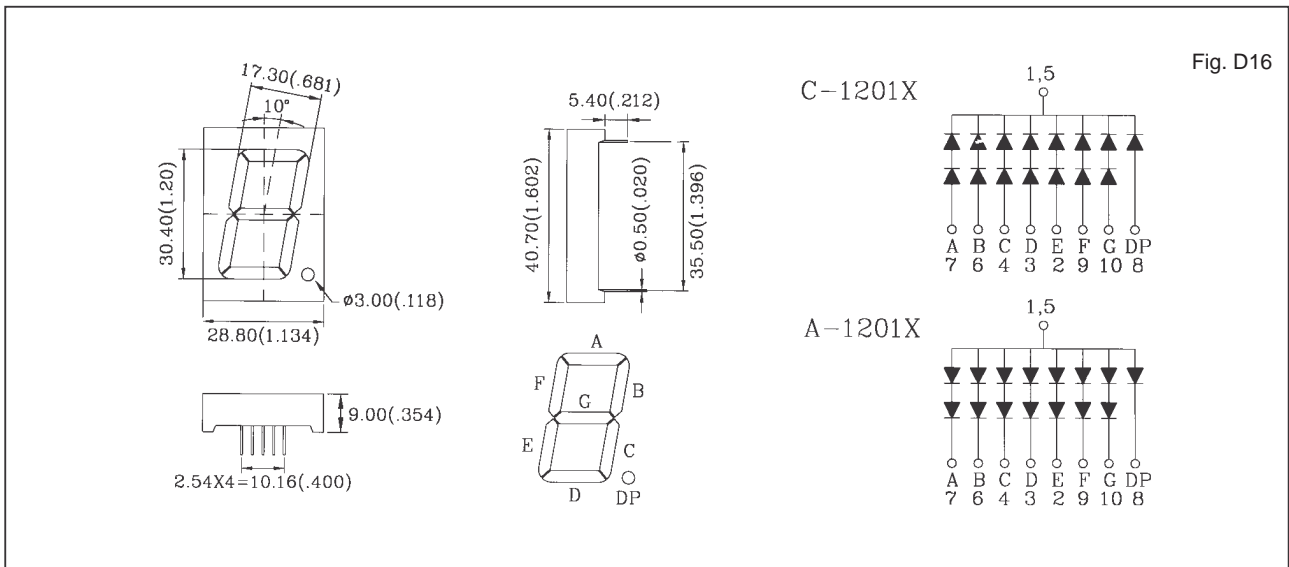
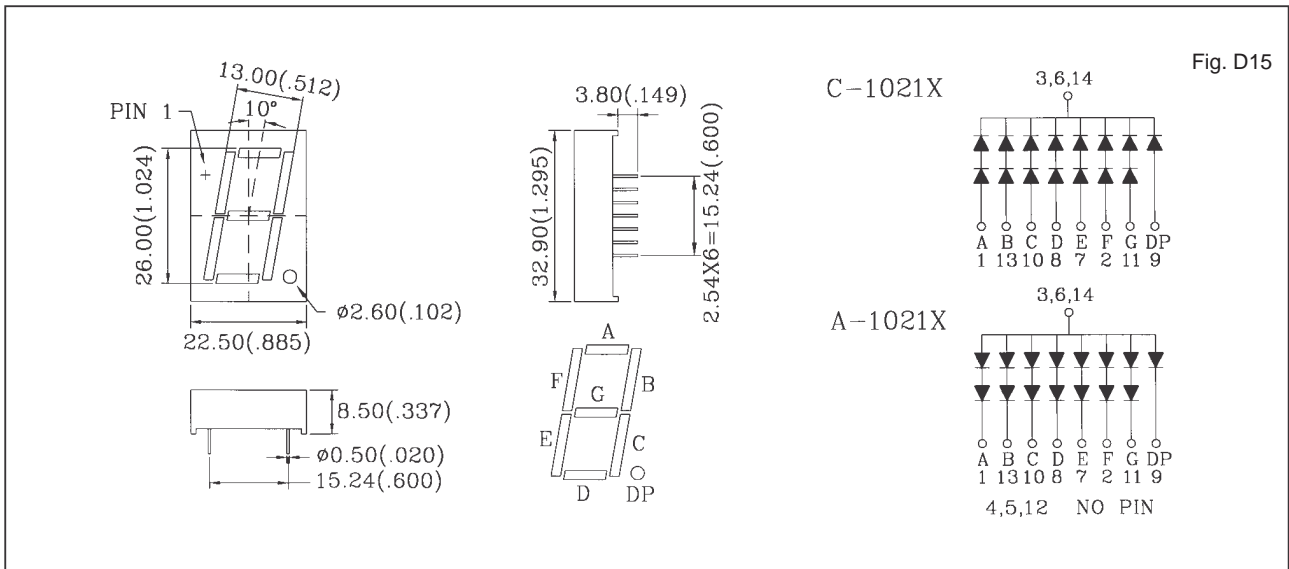


C/A-1021X, C/A-1201X SINGLE DIGIT DISPLAY

Shape	Part No.		Chip		Wave Length λ p (nm)	Electro-Optical Characteristics			Fig.No.
	Common Cathode	Common Anode	Raw Material	Emitted Color		Vf(V)20mA		Iv(ucd)10mA	
						Typ.	Max.	Typ.	
	C-1021E	A-1021E	GaAsP/GaP	Hi.effi Red	635	4.2	5.6	4200	D15
	C-1021G	A-1021G	GaP	Green	565	4.4	5.6	4000	
	C-1021Y	A-1021Y	GaAsP/GaP	Yellow	585	4.2	5.6	3200	
	C-1021SR	A-1021SR	GaAlAs	Super Red	660	3.6	4.4	40000	
	C-1201E	A-1201E	GaAsP/GaP	Hi.effi Red	635	4.2	5.6	4200	D16
	C-1201G	A-1201G	GaP	Green	565	4.4	5.6	4000	
	C-1201Y	A-1201Y	GaAsP/GaP	Yellow	585	4.2	5.6	3200	
	C-1201SR	A-1201SR	GaAlAs	Super Red	660	3.6	4.4	40000	



- 1.All dimension are in millimeters (inches).
- 2.Tolerance is ± 0.25 mm (0.01") unless otherwise specified.