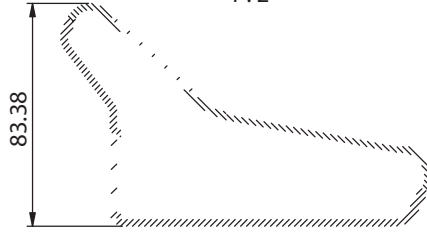
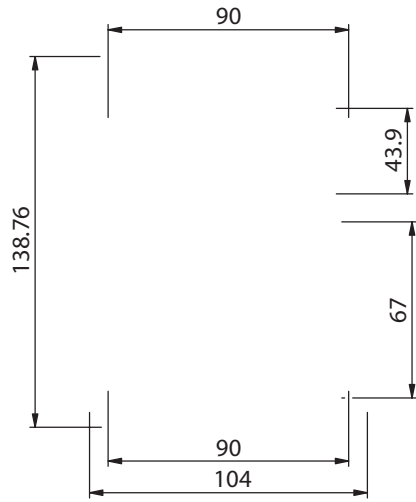


B

B-B  
1:2

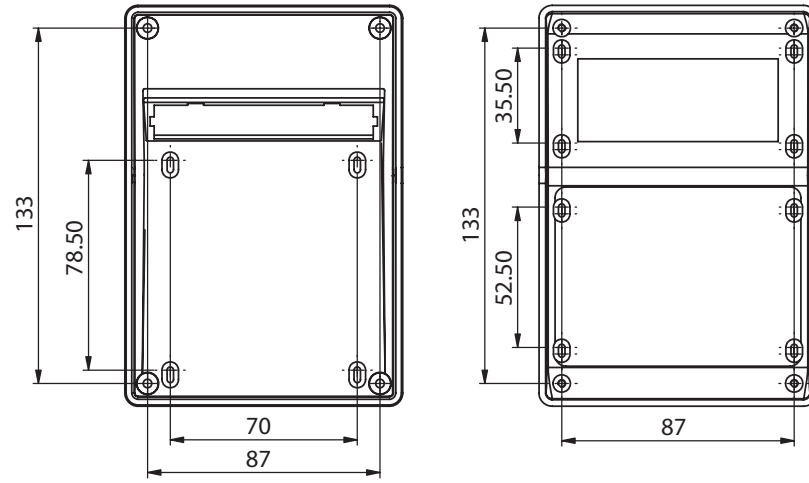


B



80

26



- ①
- ②
- ③
- ④
- ⑤

8					
7					
5		18-51-3	1	ABS	
4	3x8		4		
3		18-51-2	1	ABS	
2		18-51-1	1	ABS	
1		18-51-4	1	PC	
	--				(g)

Drawing	Auditing	Confirm	Custom Name	Material		
			Product Name	Drawing Scale	1:2	A
			Product Code	18-51	Project View	(mm)
1		1				