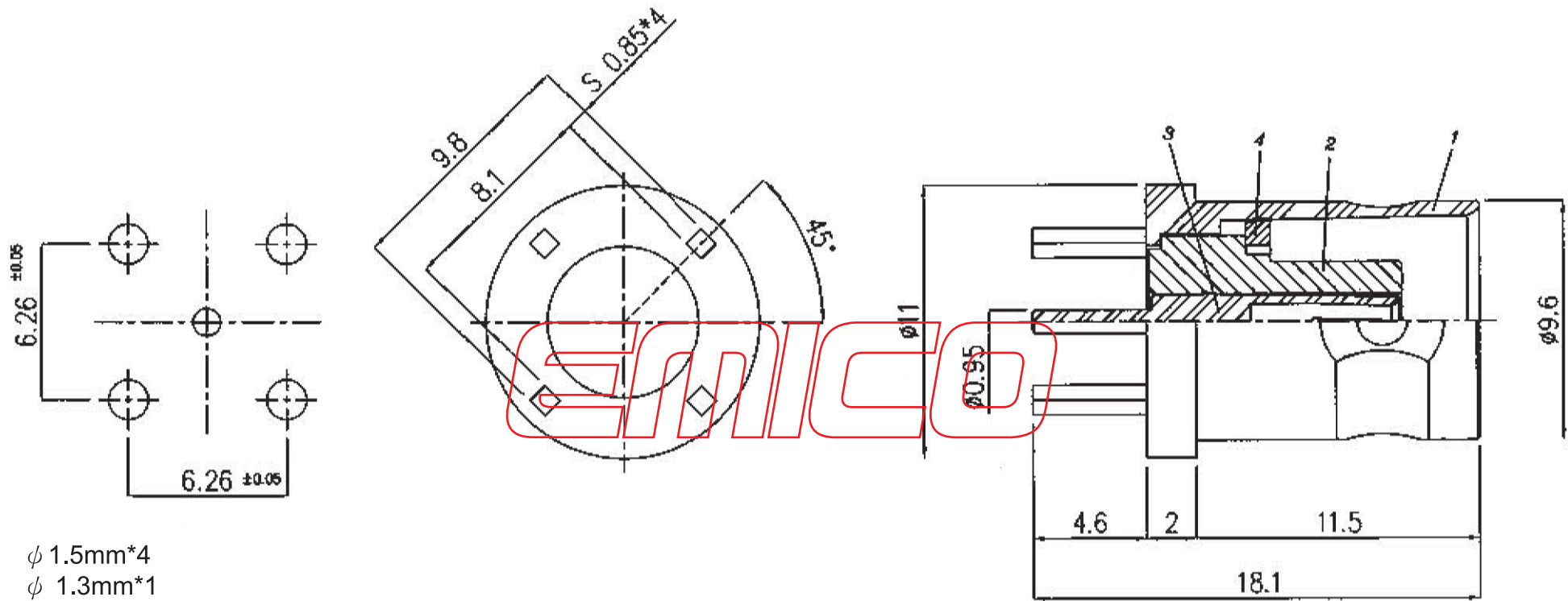
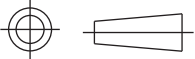


REMARK: RoHS COMPLIANT



ϕ 1.5mm*4
 ϕ 1.3mm*1
 PCB MOUNTING HOLE

MATERAIL / FINISH
 1. BODY: BRASS / NICKEL
 2. INSULATOR: PTFE
 3. CONTACT: BRASS / GOLD
 4. PARTS: BRASS / NICKEL

THIRD ANGLE	UNIT	DATE	TITLE: BNC Female PCB Mount, Nickel
	MM	2006/1/9	
DRAWING BY	APPROVED BY	VERSION	DRAWING NO. EM-BC019-NGT
LEE	H	A	

EMICO® **CONNECT YOUR LIFE**

TEL: +886-3-3117527; +886-3-3119828

FAX: +886-3-2225330

E-mail: emico.tw@msa.hinet.net

Website: www.emico-tw.com.tw

EMICO INDUSTRY CORPORATION