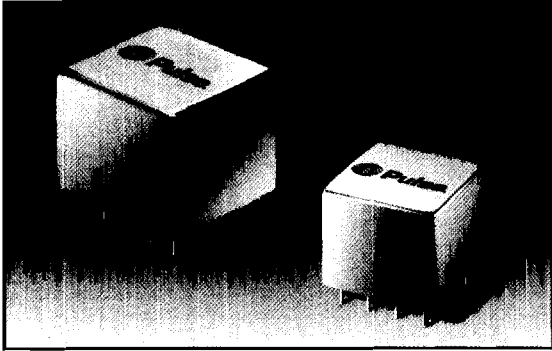




HIGH VOLTAGE INVERTER TRANSFORMERS



- HIGH FREQUENCY OPERATION — APPROXIMATELY 25 KHz FOR MINIMAL FILTERING
- ENCAPSULATED CONSTRUCTION FOR MAXIMUM ENVIRONMENTAL PROTECTION
- PRINTED CIRCUIT BOARD MOUNTING

ELECTRICAL SPECIFICATIONS @ 25°C

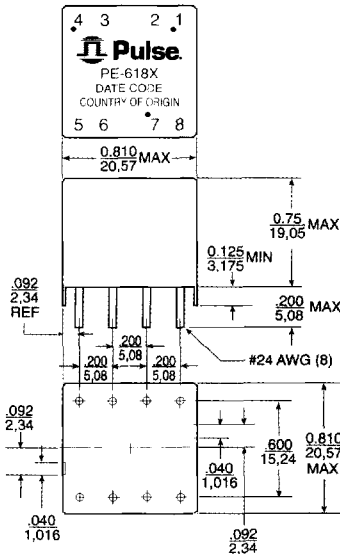
Part Number	AC Output (P-P Volts TYP)	Full-Wave Bridge Rect. Output (Volts dc TYP)	Output Current (mA dc MAX)
5 Watt			
PE-6185	500	250	20.0
PE-6188	2000	1000	5.0
PE-6189	2500	1250	4.0
20 Watt			
PE-6194	1000	500	40
PE-6195	1500	750	27
PE-6196	2000	1000	20
PE-6197	2500	1250 </td <td>16</td>	16

RATING RANGE

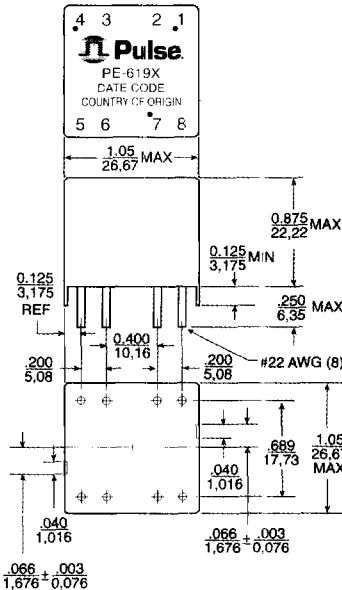
Parameter	Value
Input Voltage	28 V dc
Full Wave Output Voltage	25 to 1250 V dc
Average Power Rating	5 to 20 Watts
Output Current	4 to 800 mA
Efficiency (at full load)	Approx. 75%
Load Regulation	15% TYP
Output vs. Input Voltage Variation	Almost directly proportional
Operating Temp. Range (Ambient + Rise)	-55°C to +90°C
Frequency	Approx. 25 KHz
Weight	5 Watt Unit 20 Watt Unit
	25 grams 50 grams

MECHANICALS

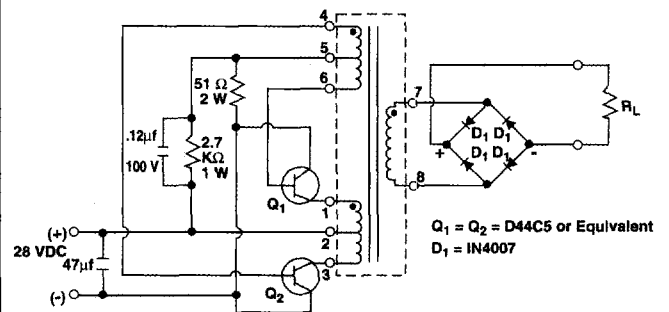
5 WATT



20 WATT



TYPICAL APPLICATION CIRCUIT



Unless otherwise specified,
all tolerances are ± 0.005
0,127

Dimensions: $\frac{\text{Inches}}{\text{mm}}$

Pulse Engineering, Inc.

P.O. BOX 12235, SAN DIEGO, CA 92112 (619) 674-8100

8

955-TC