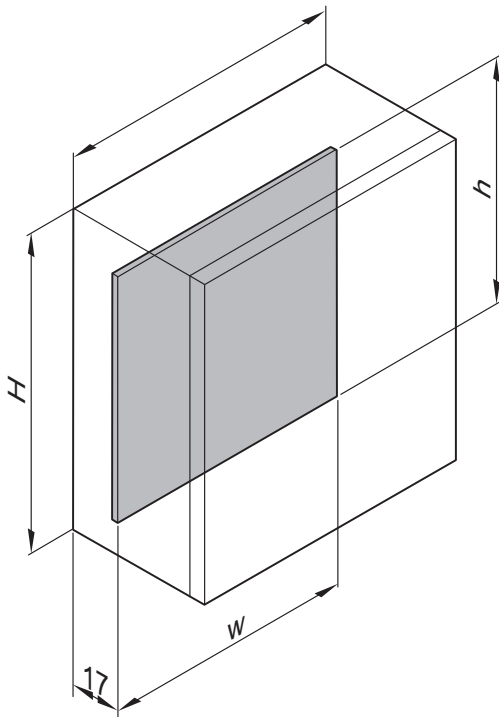


# Wall mounted cases - CONCEPTLINE

## Mounting plate



- For assembly of electromechanical components
- Mounting position on rear panel; recessed installation is possible if depth members are used

### Delivery comprises

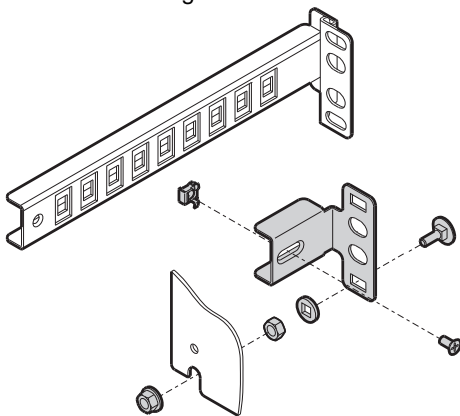
Item	Qty	Description
1	1	Mounting plate, St, 2.5 mm, zinc-plated
2	1	Assembly kit, incl. GND/earthing

### Order Information

Mounting plate			For cases		Part no.
Height h	Width w	Weight	Height H	Width W	
mm	mm	kg	mm	mm	
254	204	1.0	300	250	12406-801
254	254	1.3	300	300	12406-810
354	254	1.5	400	300	12406-802
354	354	2.4	400	400	12406-812
354	554	4.3	400	600	12406-821
454	354	3.5	500	400	12406-813
454	454	4.3	500	500	12406-815
554	354	4.3	600	400	12406-814
554	454	5.2	600	500	12406-816
554	554	6.7	600	600	12406-818
754	554	9.5	800	600	12406-819

const006

Depth member and mounting bracket



<b>Depth member</b> for case depth 220 mm, St, 2 mm, zinc-plated, PU 4 pieces	12406-419
<b>Depth member</b> for case depth 320 mm, St, 2 mm, zinc-plated, PU 4 pieces	12406-418
<b>Depth member</b> for case depth 420 mm, St, 2 mm, zinc-plated, PU 4 pieces	12406-411
<b>Mounting bracket</b> St, 2 mm, zinc-plated, assembly on depth member, for depth-adjustable assembly of a mounting plate, PU 4 pieces	12406-730

### Note

- For depth-adjustable assembly of the mounting plate please order depth members and mounting bracket separately



For further information [www.schroff.biz/oneclick](http://www.schroff.biz/oneclick)  
oneClick search code = Part no.

const033