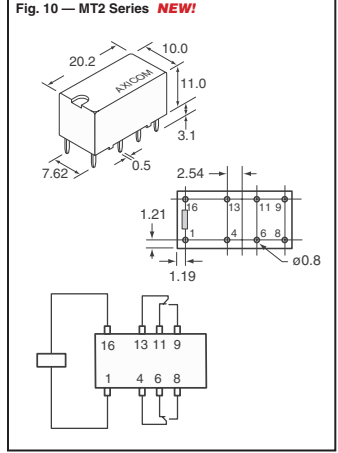
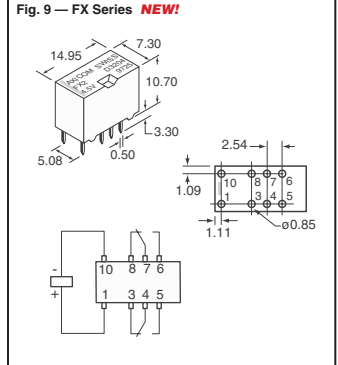
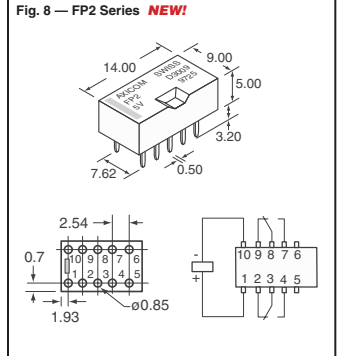


Fig.	Contact Arrange.	Coil Voltage	Coil Current (mA)	Contact Rating (A)	Features	Brand Name	Digi-Key Part No.	1	25	50	100	Mfg. Part No.	
TSC Series — Miniature Relay — RoHS Compliant													
1	SPDT	5 VDC	30.1	1	Standard Coil	OEG	PB1016-ND	1.66	1.45	1.32	1.04	TSC-105D3H,000	
		12 VDC	12.5	1	Standard Coil	OEG	PB1018-ND	1.66	1.45	1.32	1.04	TSC-112D3H,000	
		5 VDC	30.1	1	Sensitive Coil	OEG	PB1017-ND	1.66	1.45	1.32	1.04	TSC-105L3H,000	
		12 VDC	12.5	1	Sensitive Coil Input	OEG	PB647-ND	1.68	1.47	1.33	1.05	TSC-112L3H	
		24 VDC	6.3	1	Sensitive Coil Input	OEG	PB648-ND	1.87	1.64	1.49	1.17	TSC-124L3H	
NEW! HF3 Series — High Frequency Relay — RoHS Compliant NEW!													
2	SPDT	3 VDC	46.8	2	50Ω Version	Axicom	PB1102CT-ND†	4.10	3.60	3.25	2.57	HF351	
		3 VDC	46.8							HF351			
		24 VDC	5.8							HF357			
		24 VDC	5.8							HF357			
	3 VDC	46.8	2	75Ω Version	Axicom	PB1104CT-ND†	4.22	3.70	3.35	2.64	HF301		
	3 VDC	46.8							HF303				
	5 VDC	28.0							HF303				
	5 VDC	28.0							HF303				
12 VDC	11.6				HF306								
12 VDC	11.6				HF306								
V23092 Series - Slim PCB Relay SNR — RoHS Compliant													
3	SPDT	12 VDC	14.1	6	Slim Style	Schrack	PB1019-ND	11.54	10.11	9.14	7.22	V23092-A1012-A301	
	SPST-NO	24 VDC	6.1	6	Slim Style	Schrack	PB1020-ND	12.12	10.61	9.60	7.58	V23092-A1024-A302	
PE Series — Miniature Power Relay — RoHS Compliant													
4	SPDT	5 VDC	40	5	Flux Proof	Schrack	PB353-ND	4.25	3.72	3.37	2.66	PE014005	
		6 VDC	34.8							PE014006			
		12 VDC	16.7							PE014012			
		24 VDC	8.3							PE014024			
RE Series — Lower Profile Power Relay — RoHS Compliant													
5	SPST-NO	5 VDC	40	6	AgCdO	Schrack	PB356-ND	5.33	4.67	4.22	3.33	RE030005	
		6 VDC	33							RE030006			
		12 VDC	16.7							RE030012			
		24 VDC	8.3							RE030024			
		48 VDC	4.1							RE030048			
	6	SPST-NO	5 VDC	40	6	Gold Over Nickel	Schrack	PB744-ND	5.33	4.67	4.22	3.33	RE032005
			6 VDC	33							RE032006		
			12 VDC	16.7							RE032012		
			24 VDC	8.3							RE032024		
			48 VDC	4.1							RE032048		
PB Series - Cube Power Relay — RoHS Compliant													
6	SPST	5 VDC	71.4	10	Ag90Ni10	Schrack	PB766-ND	1.08	.95	.86	.68	PB134005	
		6 VDC	60							PB134006			
	12 VDC	30							PB134012				
	24 VDC	15							PB134024				
SPDT	12 VDC	30				PB889-ND	1.15	1.01	.92	.72	PB114012		
	24 VDC	15				PB765-ND	1.22	1.08	.97	.77	PB114024		
OJE Series Relay — RoHS Compliant													
7	SPST-NO	5 VDC	40	5	Sealed Case	OEG	PB874-ND	1.20	1.05	.95	.75	OJE-SH-105DM,000	
		12 VDC	16.7							OJE-SH-112DM,000			
		24 VDC	8.6							OJE-SH-124DM,000			
		12 VDC	16.7				10	High Current Sealed	OEG	PB876-ND	1.15	1.01	.92
NEW! FP2 Series Relay — RoHS Compliant NEW!													
8	DPDT	5 VDC	28.0	2	Standard Sensitivity	Axicom	PB1119-ND	2.21	1.94	1.75	1.38	D3009	
		12 VDC	11.6							D3002			
		24 VDC	8.3							D3012			
		24 VDC	8.3							D3026			
	2	High Sensitivity	5 VDC	15.9				PB1109-ND	2.95	2.59	2.34	1.85	D3023
			12 VDC	6.6				PB1118-ND	2.95	2.59	2.34	1.85	D3026
			5 VDC	20.0				PB1116-ND	2.45	2.15	1.94	1.53	D3043
			12 VDC	8.3				PB1117-ND	2.45	2.15	1.94	1.53	D3046
2	1 Coil, Latching	5 VDC	40.0				PB1114-ND	2.59	2.27	2.06	1.62	D3063	
		12 VDC	16.6				PB1115-ND	2.59	2.27	2.06	1.62	D3066	
NEW! FX Series Relay — RoHS Compliant NEW!													
9	DPDT	4.5 VDC	31.0	2	Standard Coil	Axicom	PB1110-ND	2.21	1.94	1.75	1.38	D3204	
		5 VDC	28.0							D3209			
		12 VDC	11.6							D3202			
		24 VDC	8.3							D3212			
	2	1 Coil, Latching	4.5 VDC	12.7				PB1106-ND	2.95	2.59	2.34	1.85	D3222
			5 VDC	15.9				PB1107-ND	2.95	2.59	2.34	1.85	D3223
			12 VDC	6.6				PB1108-ND	2.95	2.59	2.34	1.85	D3226
			24 VDC	5.8				PB1109-ND	3.14	2.76	2.49	1.97	D3227
NEW! MT2 Series Relay — RoHS Compliant NEW!													
10	DPDT	5 VDC	29.7	2	High Sensitivity	Axicom	PB1124-ND	1.82	1.60	1.45	1.14	C93401	
		12 VDC	12.3							C93402			
		24 VDC	6.1							C93403			
		24 VDC	6.1							C93404			
2	Standard Sensitivity	5 VDC	40.0				PB1121-ND	1.82	1.60	1.45	1.14	C93416	
		12 VDC	16.6				PB1122-ND	1.82	1.60	1.45	1.14	C93418	
		24 VDC	8.3				PB1123-ND	1.97	1.73	1.56	1.23	C93419	
		24 VDC	8.3				PB1123-ND	1.97	1.73	1.56	1.23	C93419	



† Cut Tape ‡ Tape and Reel

(Continued)